



Allway Technologies (Ontario) Inc.

Toronto Office : 200 Cochrane Drive, Unit #8, Markham, Ontario, L3R 8E8.
Tel: 905-477-0888 Fax: 905-477-0890 Toll Free : 1-888-563-9171

Vancouver Toronto <http://www.allway.ca> Email: Torontosales@allway.ca

Catalogue : Tools

* = New Lower Prices



Quality HANLONG tools - made in Taiwan

New Arrival - Terminal Crimping Tool

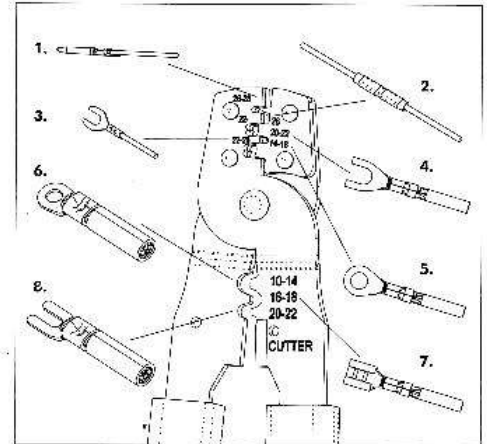
for D-Sub and most popular non-insulated terminals



New item

280342 12.60*

For D-Sub and most popular non-insulated terminals.



"F" Type Crimping Tools



"F" type Ratchet Crimping Tool RG59, 62, 6 (8.20 & 9.12mm)

280090 \$15.00



For RG59, 6 (0.068, 6.65, 8.23 & 9.14mm)

280076 \$20.00



Ratchet Crimping Tool for RG59, RG6 (6.48, 8.13 & 8.89mm)

280113 \$20.00



Ratchet - for RG58, 59, 62, 6 & centre pin (1.73, 5.41, 6.50 & 8.10mm)

280106 \$21.00

"BNC" Type Crimping Tools

4P4C,6P6C, 8P8C Crimping Tools



RJ6 4P4C

280120 \$11.50



RJ45 8P8C Modular Crimping Tool

280151 9.50*



RJ12/45 — 6P6C, 8P8C

280182 \$18.00



RJ12/45 6P6C/8P8C

280212 \$29.00

4P4C/6P6C/8P8C/10P10C Crimping Tool (Ratchet type)



280236 \$50.00

IDC Crimping Tool



285118 \$12.50

Compression Crimping Tools

for RG6 Waterproof connectors



280816 \$15.50
Sale 12.60



for Waterproof RG6, BNC and "F" type connectors

280830 \$37.00

Cable Tie Fasten Tool



285187 \$17.50



Allway Technologies (Ontario) Inc.

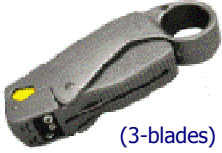
Toronto Office : 200 Cochrane Drive, Unit #8, Markham, Ontario, L3R 8E8.
Tel: 905-477-0888 Fax: 905-477-0890 Toll Free : 1-888-563-9171

Vancouver Toronto <http://www.allway.ca> Email: Torontosales@allway.ca

Catalogue : Tools

* = New Lower Prices

Rotary Coaxial Cable stripping tools RG59/62/6/4C/5C Coaxial Cable



(3-blades)

280137 \$12.50



(2-blades)

280083 \$12.00

Cutters & wire Strippers

0.5 - 4.0mm with Grinding



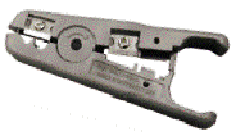
283015 \$5.30

Multi-purpose Cutter and Stripper with lock (24, 22, 20, 18, 16 & 14AWG)



283152 \$9.50

Universal Stripping Tool



For Cat5, Cat 6 cables

280144 \$12.00



Multi-Purpose Screw Driver

283510 **5.30***

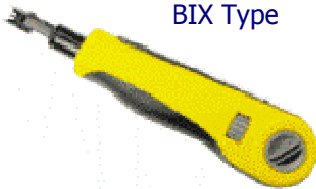
22, 20, 18, 16, 14, 12 & 10AWG
(10 functions in 1)



283213 **11.00***

Metal Punch Down Tools with inter-changeable blades

Metal Impact Punch down tool
BIX Type



280410 \$35.00

with Type 110 Blade



280397 \$29.00

Plastic tool
with wire stripper



280311 **2.80***

Net Toner & I-Tone Probe



With Carrying Bag

280939 \$92.00



Additional blades for Punch Down Tools
Type Bix
280434 \$14.00

Type 110
280403 \$7.30

Type 66
280427 \$7.30

Keystone Jack Punch Down base



287310 \$1.20

Net Toner



- 2 selectable tone outputs
- 2 line polarity indicator
- Continuity test
- Low battery indicator

280946 \$52.00

NetFinder with Line Test

Includes 25 Terminators



281011 **148.00***

- Quickly sort out and clean up a closet full of unidentified cable mess
- Allow a single technician to organize the entire wiring closet in the shortest time possible
- Test LAN, Telecom and Coaxial cables
- Detects voltage on the center pair of 4/5 on RJ45's

Cable Tester — LAN, Coaxial (Pin Scan)



280915 \$53.00

Sale 48.00

Built-in Tone Generator



280953 \$56.00

Sale 52.00

I-Tone Probe

Works with Net Toner & Tone Generators



280960 \$49.00



Allway Technologies (Ontario) Inc.

Toronto Office : 200 Cochrane Drive, Unit #8, Markham, Ontario, L3R 8E8.
Tel: 905-477-0888 Fax: 905-477-0890 Toll Free : 1-888-563-9171

Vancouver Toronto <http://www.allway.ca> Email: Torontosales@allway.ca

Catalogue : Tools * = New Lower Prices

**Network & USB cable
Multi-modular Tester**



280922 \$55.00

**Infrared Thermometer
(-50C ~ 280C)**



w/ laser pointer
Incl. 9V Battery

285804 **38.30***

Power Supply Tester



992002 **14.00***

WiFi & Spy Finder



281110 **12.60***

Temperature Sensor—digital display



975019 **9.00***

Pin insertion & Extraction Tool



287013 \$2.30

**5.25" Power Connector Pin Extractor
(AMP 1-480424-0)**



287112 **8.50***

**3.5" Power Connector Pin Extractor
(AMP 171822-4)**



287136 **8.50***

**Main brd Power Connector Pin Extractor
(Molex 39-01-2200, 39-01-2240)**



287150 **11.00***

**P8/P9 Power Connector Pin Extractor
(Molex 90331)**



287174 \$9.00

**1/8" washer for Main Brd
(1,000 pcs /bag)**



971110 **17.80***

Anti-Static CPU & keyb - w/ grounding cord

350113 **9.60***



Anti-Static wrist wrap

350212 \$3.80



Tool Kit (12 pcs)

282117 \$8.20



**Case thumb screws
(20 pcs /bag)**



970069 \$2.80

Nail Cable Clips 100pcs/bag



- 6mm white 025776 **2.30***
- 7mm black 025783 **2.80***
- 8mm black 025820 **3.80***
- 8mm black double 025837 **4.00***

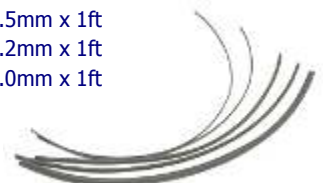
Tool Kit (54 pcs)

282209 \$38.00



**Heat Shrink Tubings
(5 pcs /bag—1ft length assorted)**

- 5.0mm x 1ft 979819 \$1.45
- 3.0mm x 1ft **Sale 1.00**
- 2.5mm x 1ft
- 1.2mm x 1ft
- 1.0mm x 1ft



Prices are subject to change without prior notice. While Quantity lasts. E. and O.E. We are not responsible for any typographical errors. Your company is currently in our existing customers list or referred to us by a business contact. We take the liberty to send you email about promotions, monthly specials, new product information, savings and special buys. We respect your privacy, and if you do not wish to receive further announcement from ALLWAY Technologies Inc, unsubscribe by [clicking here](#). Thank you. To receive our full product price list, please kindly [click here](#). Copyright 2009. All rights reserved. ALLWAY Technologies Ontario. 200 Cochrane Drive Unit 8, Markham, Ontario, L3R 8E8